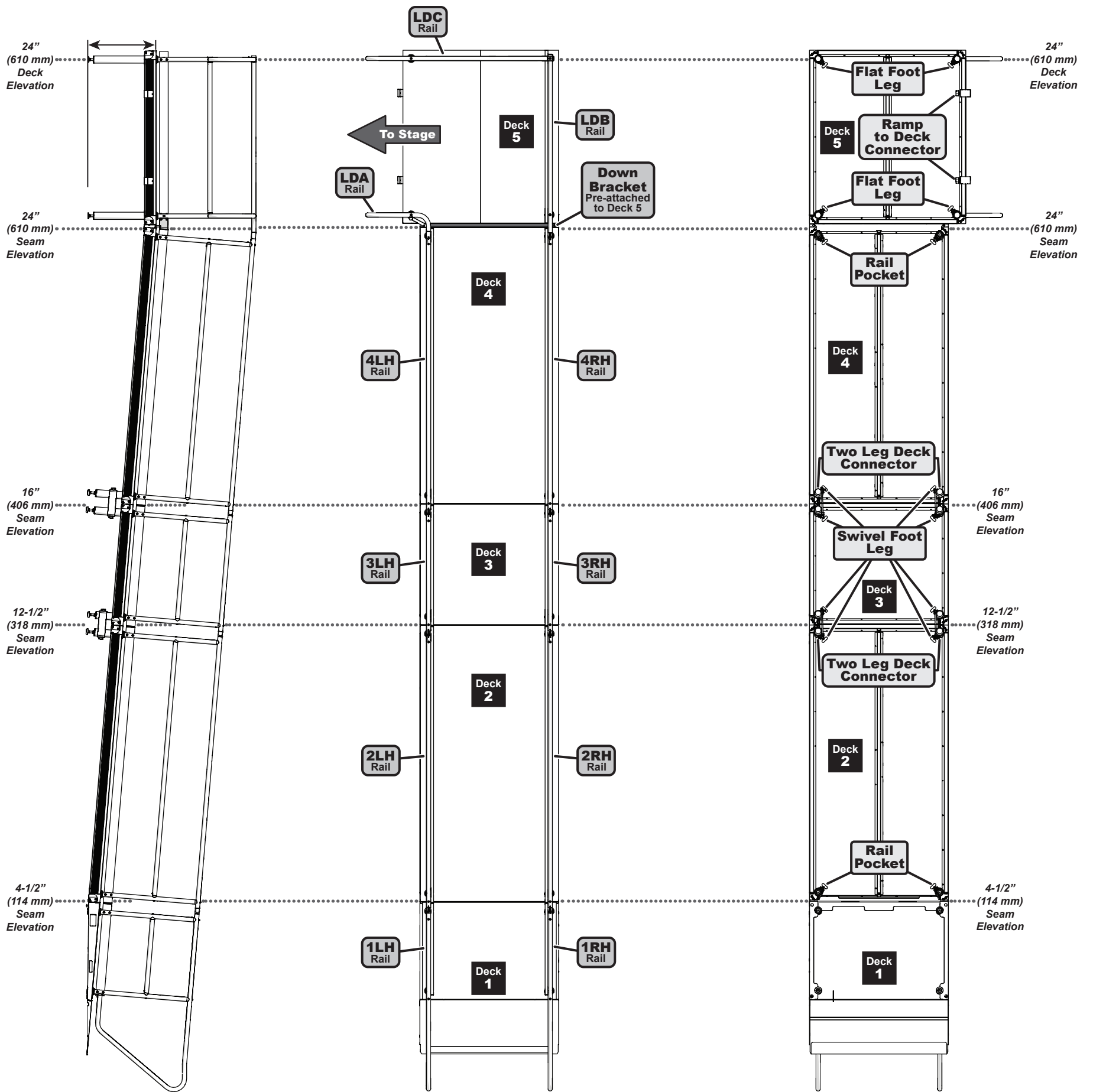
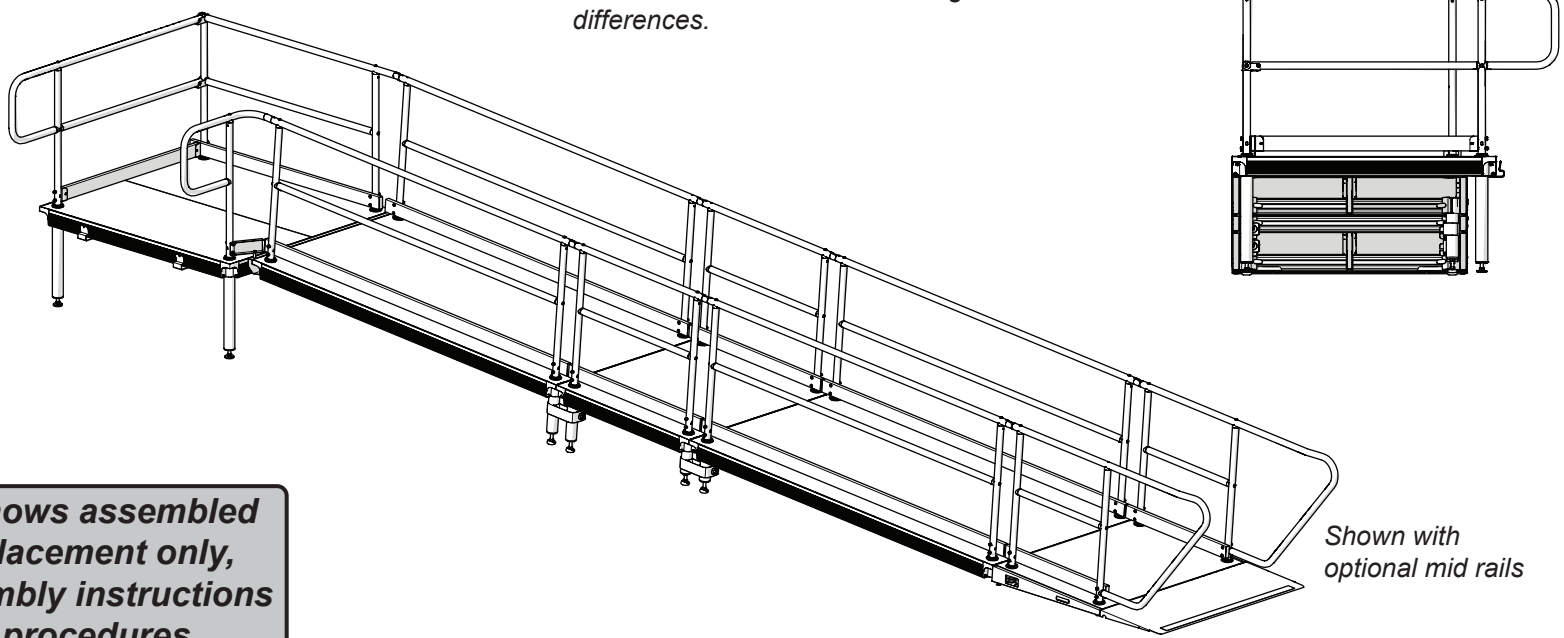


# ADA Ramp - Deck and Leg Set Up Guide for 282A016 - 24" (610 mm) Elevation Ramp with Left Hand Landing



Leg heights may need to be adjusted to accommodate elevation changes and differences.



Shown with optional mid rails

**This guide shows assembled component placement only, see the assembly instructions for assembly procedures.**

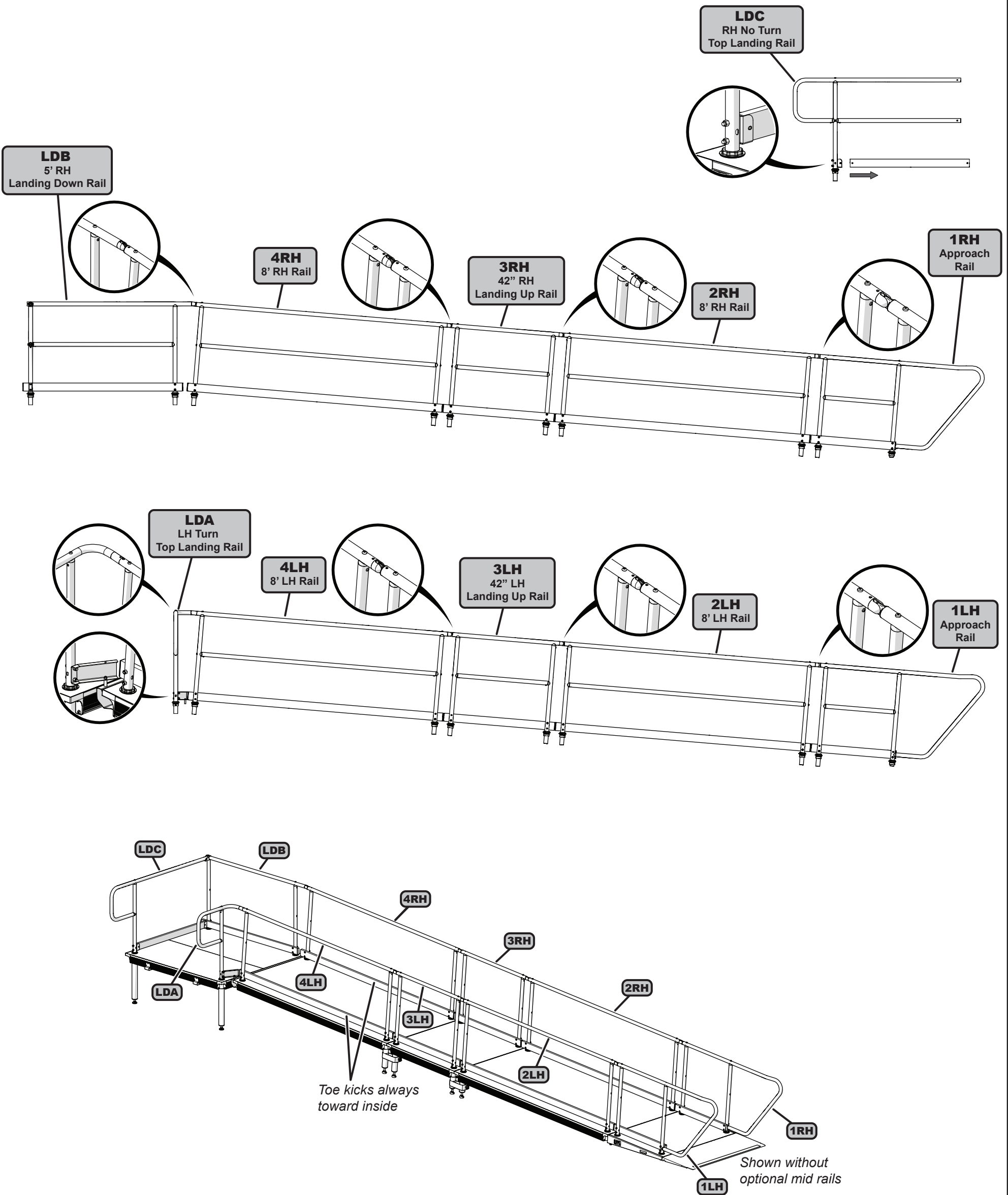
Wenger Corporation  
555 Park Drive, PO Box 448  
Owatonna, MN 55060  
(800) 4WENGER (493-6437) | +1-507-455-4100  
wengercorp.com



# ADA Ramp - Rail Set Up Guide

## for 282A016 - 24" (610 mm) Elevation Ramp with Left Hand Landing

*This guide shows assembled component placement only, see the assembly instructions for assembly procedures.*



Wenger Corporation  
555 Park Drive, PO Box 448  
Owatonna, MN 55060  
(800) 4WENGER (493-6437) | +1-507-455-4100  
wengercorp.com

Wenger®